

Model: LoBact Mini. Air disinfection unit

Purpose: LoBact Mini disinfects air in small enclosed spaces - cold stores, kitchens, public areas, in fact anywhere that requires infection control.

The unit is wall or ceiling mounted and has an internal fan which draws air through the unit. Here, the air passes over high intensity UV-C emitters which act on airborne microbes such as bacteria, spores, viruses, moulds, yeast and fungi.

Safety: The unit does not produce ozone, and has light guards to prevent UV-C light escaping. As a result, the LoBact Mini can be used in places where people are present. As an additional safety feature, the UV-C emitters have a special Teflon sheath to protect against breakage.

Features & Benefits:

- Reduces airborne bacteria
- Disinfects 24 hours a day
- Is practically maintenance-free
- Dispenses with the need for chemical cleaners which can be expensive and harmful to health and the environment
- Has an excellent price/ benefit ratio
- Simple to retrofit

Dimensions: 600H x 150W x 170D mm

Technical Data:	Weight	2.7kg
	Supply	230 Vac / 50-60Hz
	Power	60W
	UV-c emitter	1 x 55W
	UV-c emitter life	9,000 hrs
	Noise	G28dB
	Air flow	25-50 m ³ /hr

Accessories: Nil

Delivery: Stock item

Approvals: LoBact Mini complies with current CE requirements and EMC standards. Certificates are available on request.

Warranty: One year manufacturer's warranty. Terms and conditions apply.

Terms In accordance with our standard terms of business.

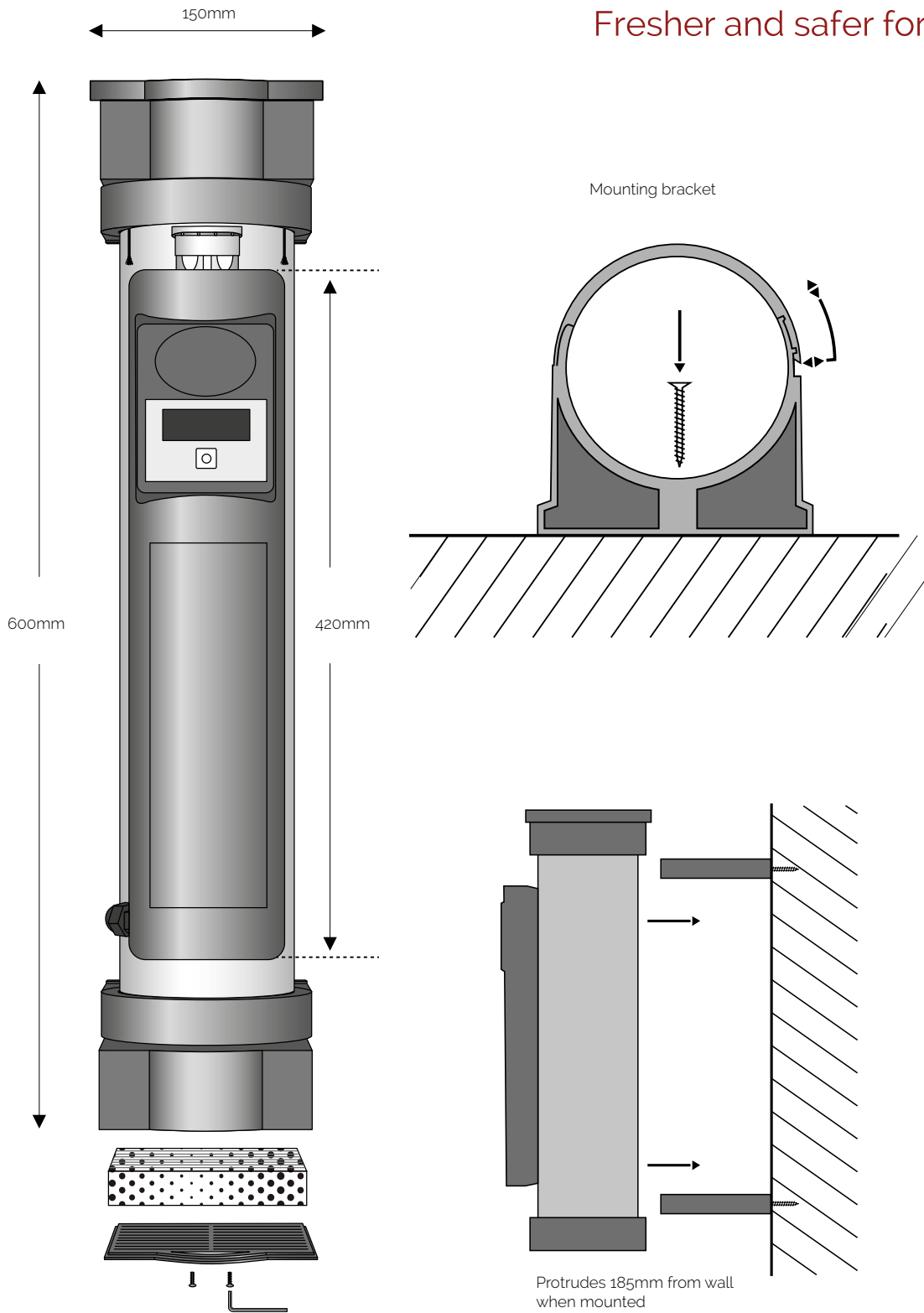
Maintenance LoBact Mini would recommend:

- Routine cleaning of the housing



LoBACT

Fresher and safer for longer



LoBact are continuously improving their products and services and reserves the right to alter designs without prior notice.